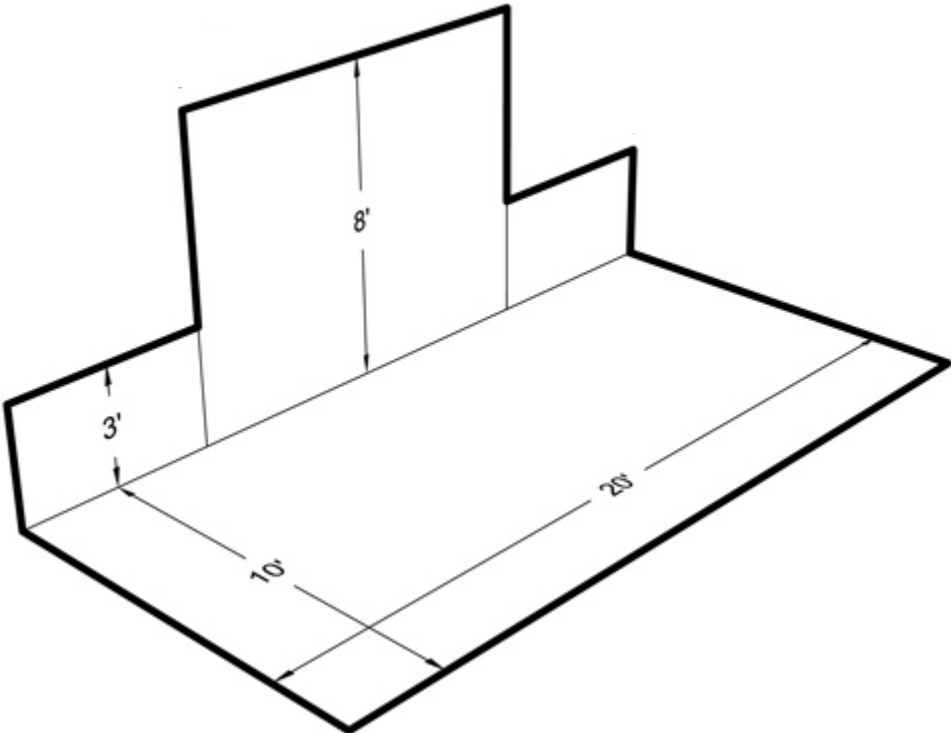


10x20 End Cap Booths

The 8' tall back drape will be centered 10' in width and the outer 5' of each side will only be 3' tall so as not to block the booths behind you.

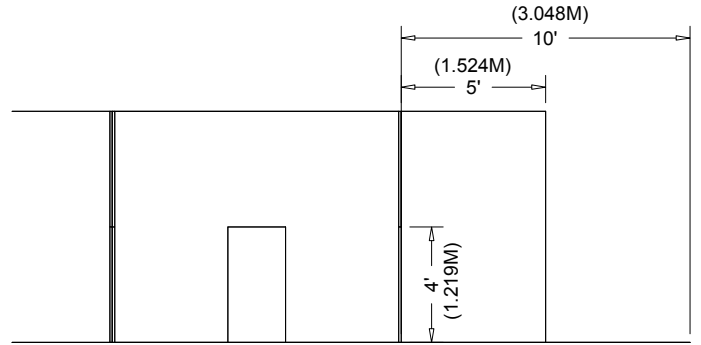


End-cap Booth

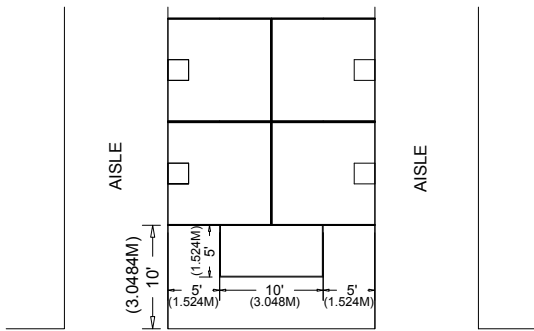
An End-cap Booth is exposed to aisles on three sides and comprised of two booths.

Dimensions

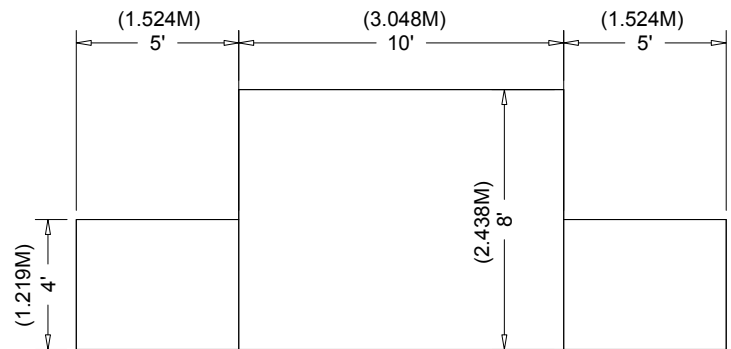
End-cap Booths are generally 10ft (3.05m) deep by 20ft (6.10m) wide. The maximum back wall height of 8ft (2.44m) is allowed only in the rear half of the booth space and within 5ft (1.52m) of the two side aisles, with a 4ft (1.22m) height restriction imposed on all materials in the remaining space forward to the aisle.



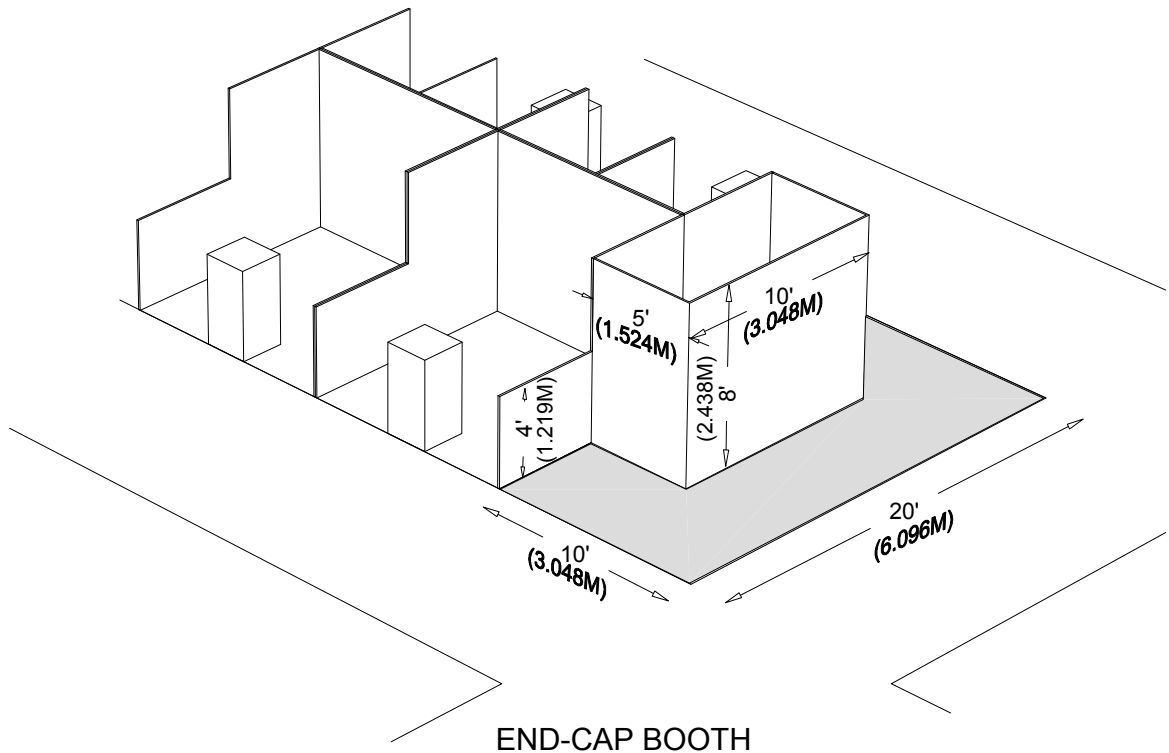
LEFT SIDE VIEW



PLAN VIEW



FRONT VIEW



END-CAP BOOTH

This edition of IAEE's Guidelines for Display Rules and Regulations is made possible by a generous grant from **FREEMAN**